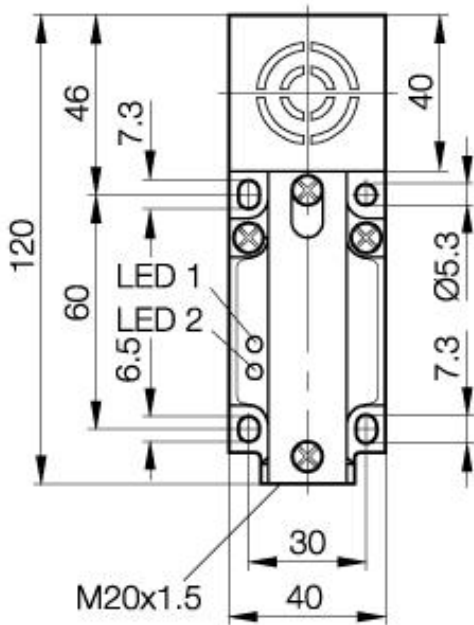


Inductive Sensors
BES 517-132-M5-H
40 x 40 x 120
Complementary
Sn=30mm
unshielded



PX1545

Common Data

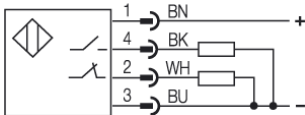
Product name	Unisensor
Mounting in steel	unshielded
Rated operating distance Sn	30mm
Assured operating distance Sa	0...24mm
Repeatability R	≤ 5%
Hysteresis	≤ 20%
Power indication	yes
Function indication	yes
Ambient temperature range	-25...+70°C
Polution Degree	3
Time delay before availability	≤ 30ms

Mechanical Data

Measurements BxHxT or DxT	40 x 40 x 120mm
Housing material	Plastic (PBTP)
Material of sensing face	PBTP
Degree of protection	IP67IP
Connection	Screw terminals
Schock: Halfsinus, 30 gn, 11ms	
Vibration: 55 Hz, 1mm Amplitude, 3 x 30 Minutes	

Electrical Data

Current type	DC
Wiring	4-Wire
switching function	Complementary
Output signal	PNP
Rated operational voltage	24 DCV
Rated operational current	200mA
Supply voltage	10...55 DCV
Ripple	≤ 15%
max. switching frequency	60Hz
No-load supply current	≤ 20/≤ 15mA
Off-state current	≤ 80µA
Voltage drop	≤ 2.5/-V
Short circuit protection	yes
Protected against polarity reversal	yes



Utilization categories
 Insulation class

DC 13
 II

Datasheet number:

Definitions see general catalog.
 If not otherwise noted, ratings according to
 IEC 60947-5-2 (DIN EN60947-5-2)

Balluff GmbH
 Schurwaldstrasse 9
 73765 Neuhausen a.d.F.
 Phone (07158) 173-0 Fax (07158) 5010

Datenblatt by CD-ROM - 04/2007

BALLUFF
 sensors worldwide